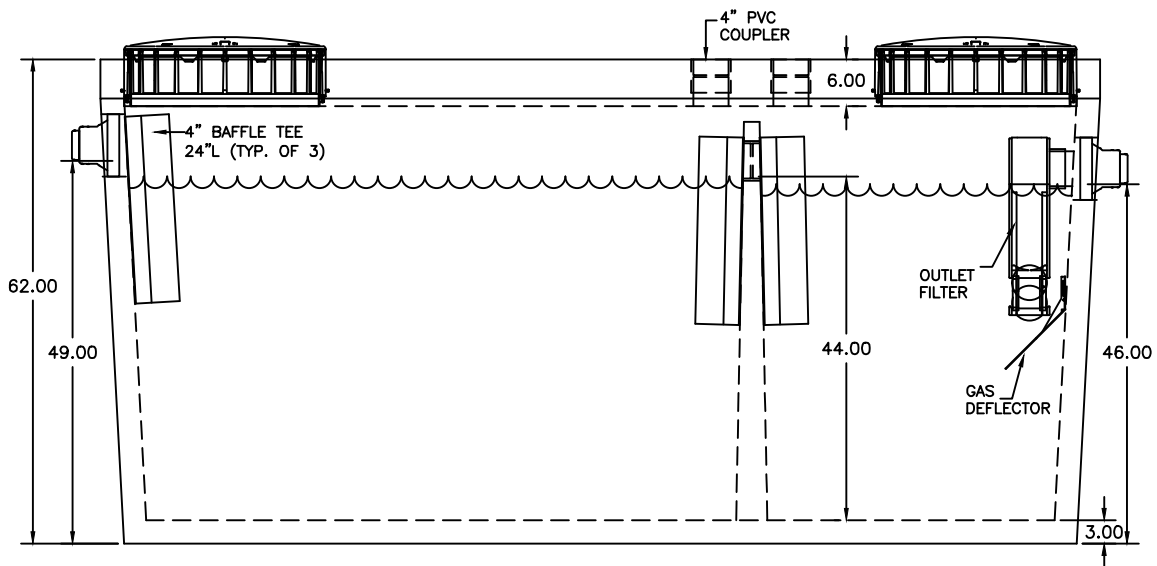
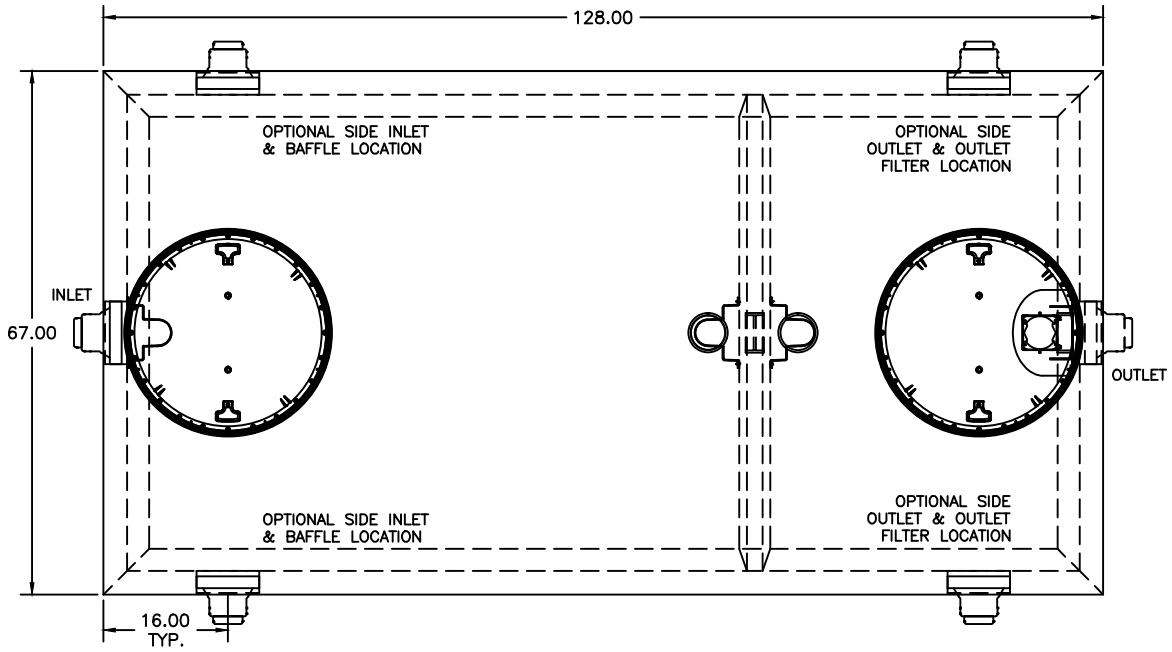


NOTES:

1. NON TRAFFIC BEARING - MAXIMUM EARTH COVER 4".
2. MINIMUM CONCRETE STRENGTH = 4,000 PSI @ 28 DAYS.
3. MEETS REQUIREMENTS OF N.J.A.C. 7:9A
4. REINFORCEMENT: #3 & #4 REBAR @ 12" OCEW IN TOP & BOTTOM, 6/6 10GA. WIRE MESS IN SIDES
5. WEIGHT: TANK= 5.0 TONS & LID= 2.23 TONS
6. 29.0 GALLONS PER VERTICAL INCH.



FRANKLIN PRECAST
 20 PARK DRIVE
 FRANKLIN, NEW JERSEY 07416
 www.franklinprecast.com

pH: (973) 827-7563
 Fax: (973) 827-4746
 sales@franklinprecast.com



THIS DRAWING IS THE PROPRIETARY PROPERTY OF FRANKLIN PRECAST. REPRODUCTION, DISCLOSURE OR USE OF ANY PART OF THIS DRAWING OR ANY INFORMATION THEREIN IS EXPRESSLY PROHIBITED WITHOUT PRIOR WRITTEN CONSENT OF FRANKLIN PRECAST.

DESCRIPTION: FRANKLIN PRECAST - NON TRAFFIC
 1,250 GAL. 2 COMPARTMENT TANK

SCALE: NOT TO SCALE

DRAWN BY: AK

PART #
 1250 GAL.
 2 COMP

DATE: 3/21/2017

CHECK BY: AY