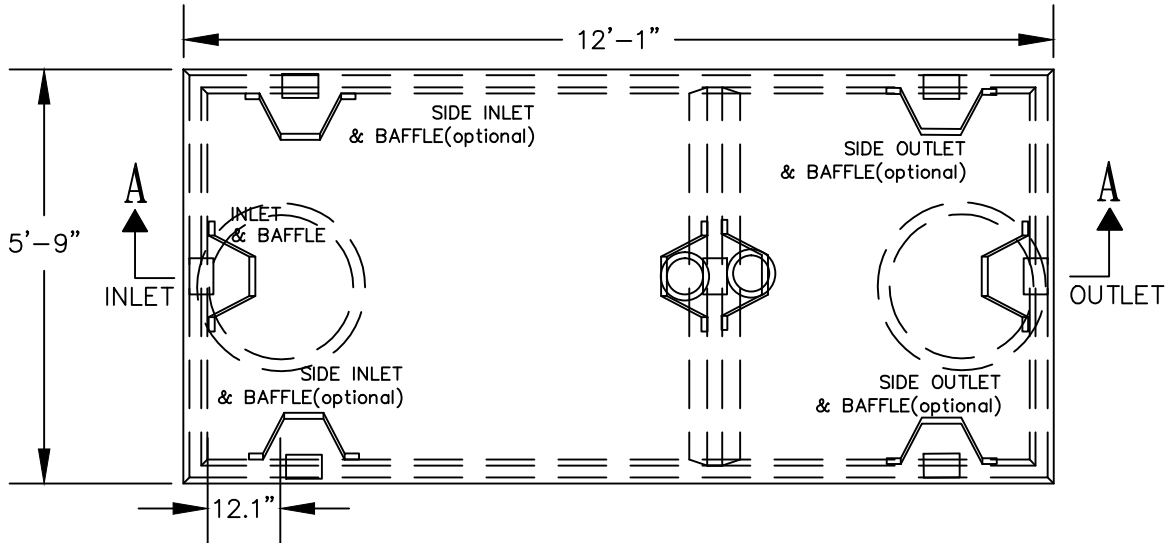


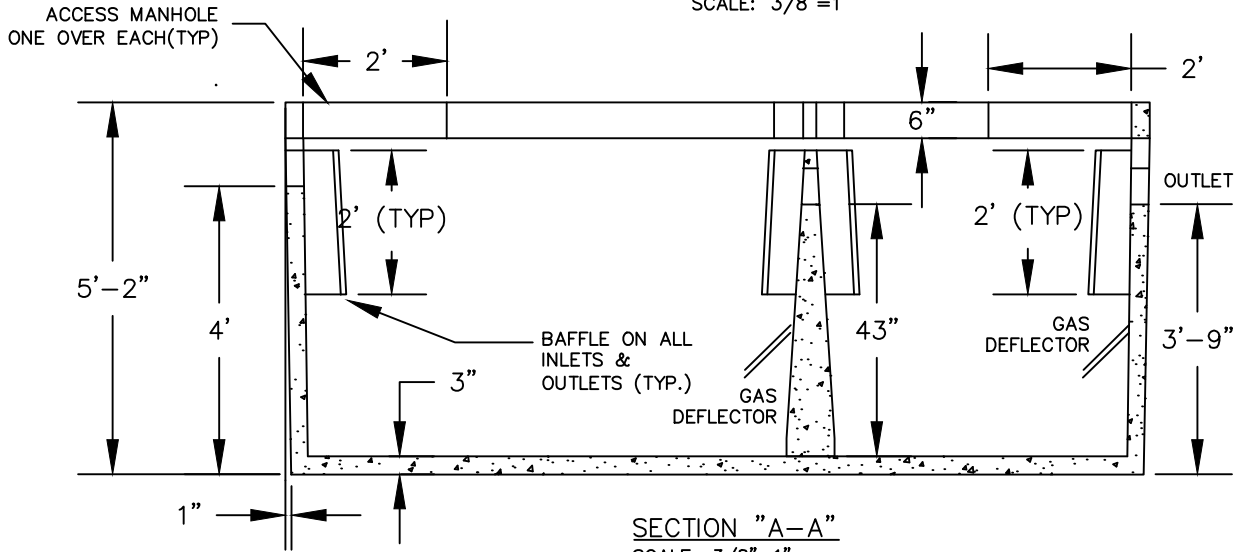
1,500 GALLON 1 & 2 COMP. RECTANGULAR SEPTIC TANK

1. POLYETHYLENE BAFFLES.
2. CONCRETE 4,000 LBS. + P.S.I.
3. INTERIOR SURFACES COATED TO N.J. SPECIFICATIONS.

NOTES:
 #3 & #4 REBARS IN WALLS, TOP AND BOTTOM. Non Traffic Rated.



TOP VIEW
 SCALE: 3/8"=1"



SECTION "A-A"
 SCALE: 3/8"=1"

RAPID CAD
 drafting & design services
 cmccann13@gmail.com

FRANKLIN PRE-CAST
 20 Park Dr. Phone: (973)-827-7563
 Franklin, NJ Fax: (973)-827-4746
 07416 sales@franklinprecast.com



DRAWN BY	CJM	PROJECT #
DATE	01-08-14	RC-46
CAD FILE #	PC-1500	
SCALE	NTS	DWG SIZE