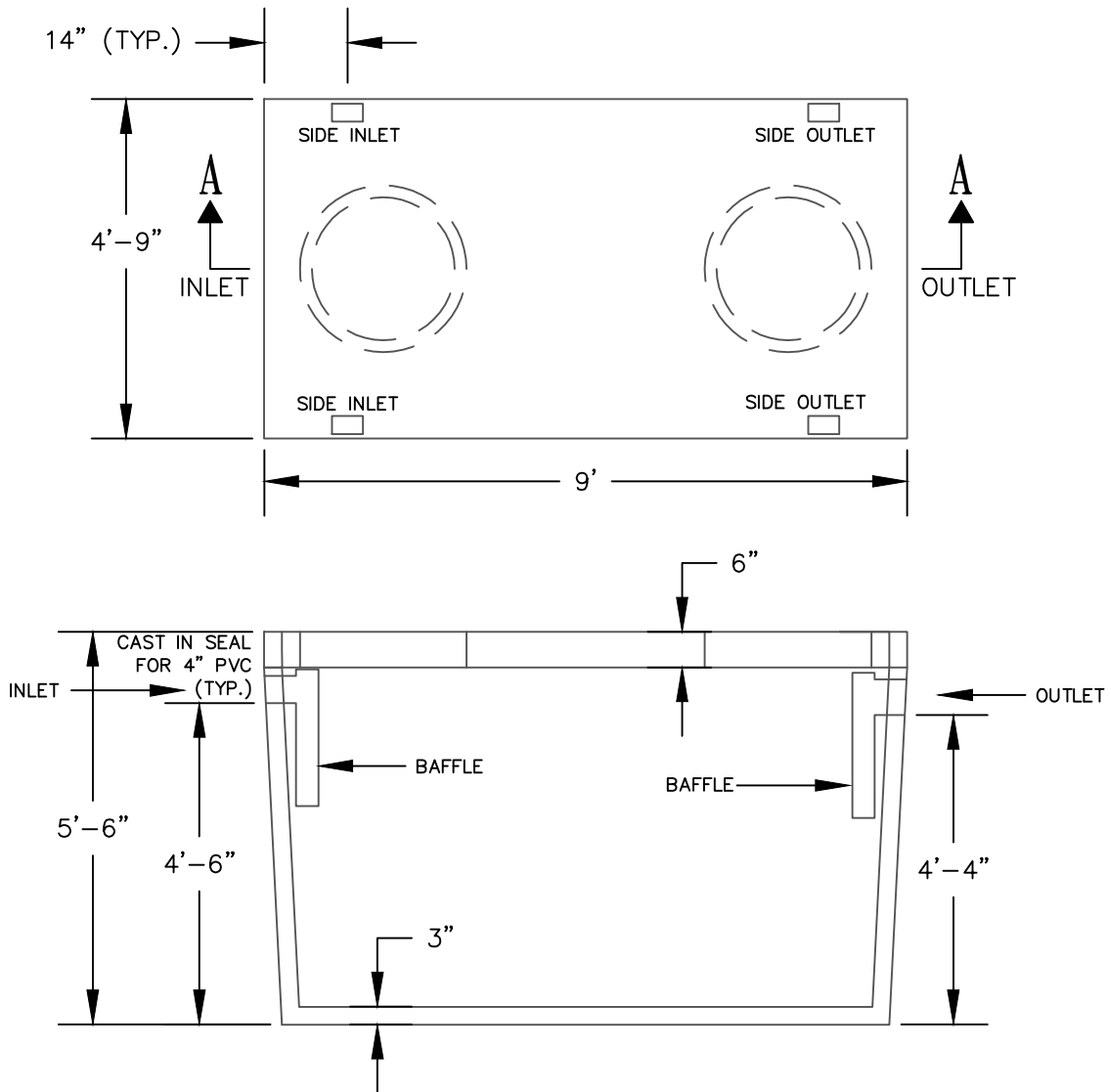


# 1,000 GALLON SEPTIC TANK

## SPECIFICATIONS

1. NON TRAFFIC BEARING – MAXIMUM EARTH COVER 4'.
2. MINIMUM CONCRETE STRENGTH = 4,000 PSI @ 28 DAYS.
3. MEETS REQUIREMENTS OF N.J.A.C. 7:9A
4. REINFORCEMENT: #3 & #4 REBAR IN TOP AND BOTTOM 6"x6"x10 GA. WIRE MESH IN SIDES.



APPROXIMATE TANK WEIGHT: 3.2 TONS LID WEIGHT: 1.5 TONS

**RAPID CAD**  
drafting & design services  
cmccann13@gmail.com

**FRANKLIN PRE-CAST**

20 Park Dr. Phone: (973)-827-7563  
Franklin, NJ Fax: (973)-827-4746  
07416 sales@franklinprecast.com



DRAWN BY	CJM	PROJECT #
DATE	02-01-15	15-05
CAD FILE #	PC-1000S	
SCALE	NTS	DWG SIZE