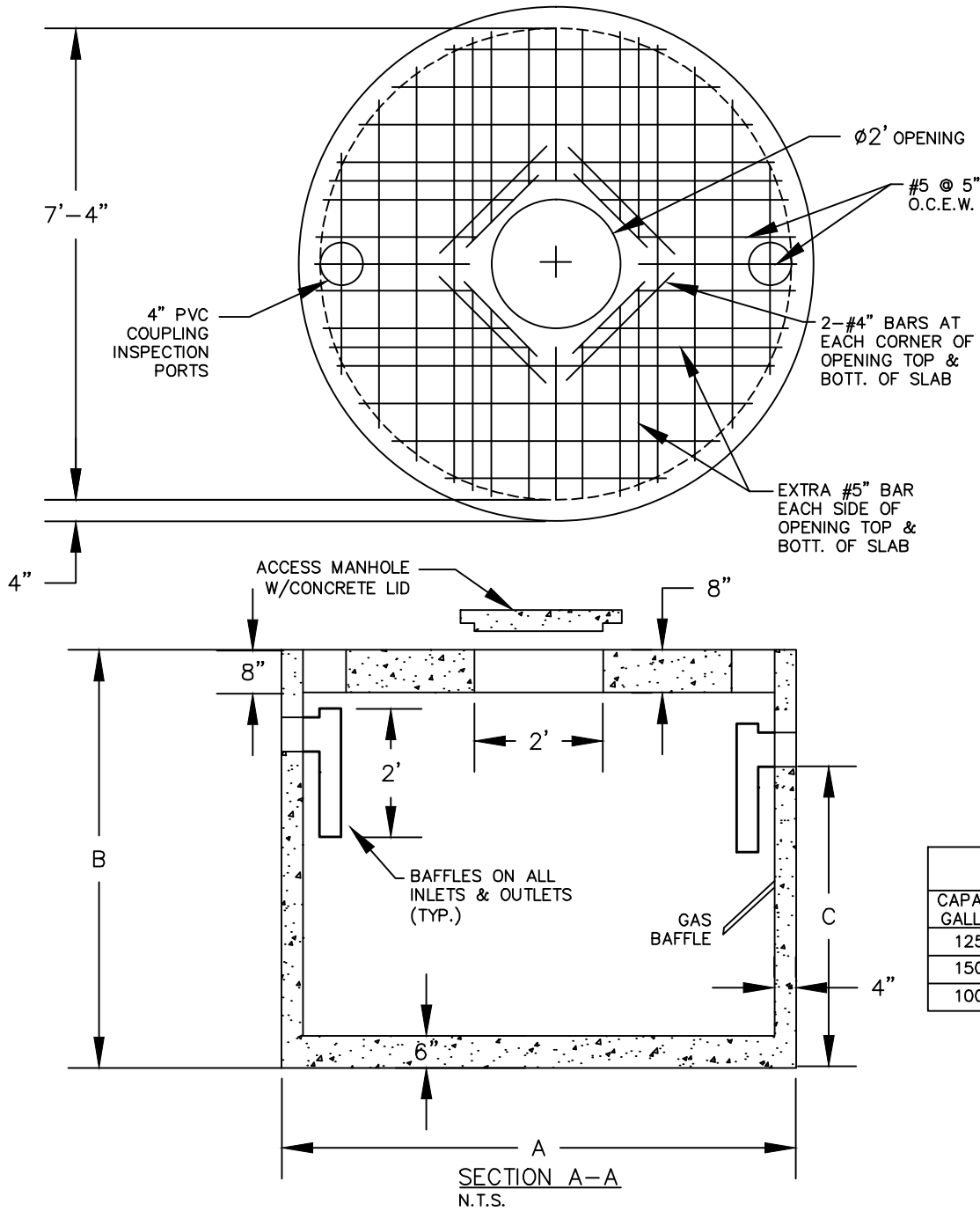


1000, 1250, 1500 GL HD RND. SEPTIC TANK(S)

SPECIFICATIONS

1. CONCRETE STRENGTH = 4,000 PSI
2. POLYETHYLENE BAFFLES.
3. INTERIOR SURFACES COATED TO N.J. STATE SPECIFICATIONS.
4. BOTTOM #5 BAR 12" O.C.E.W. WALL 3x12 W3/W2.1 WWF



DIMENSION TABLE			
CAPACITY GALLONS	A	B	C
1250	8'	72"	56"
1500	8'	78"	66"
1000	8'	62"	45"

RAPID CAD
drafting & design services
cmccann13@gmail.com

FRANKLIN PRE-CAST

20 Park Dr. Phone: (973)-827-7563
Franklin, NJ Fax: (973)-827-4746
07416 sales@franklinprecast.com



DRAWN BY	CJM	PROJECT #
DATE	02-01-15	
CAD FILE #	PC-RND-HD	15-06
SCALE	NTS	DWG SIZE