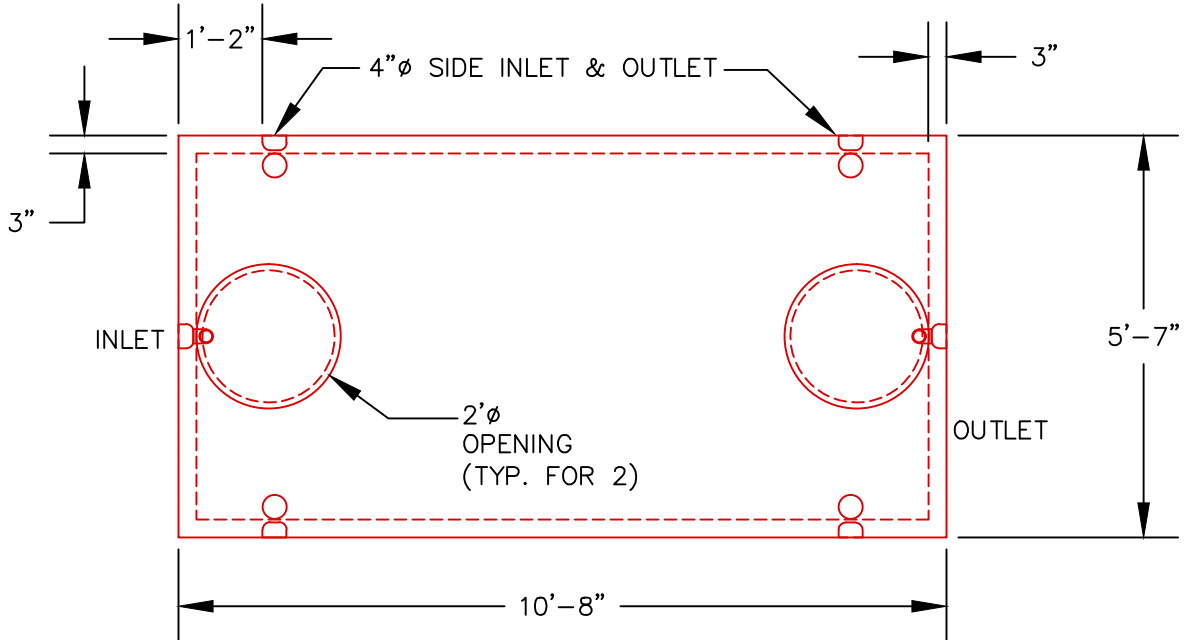


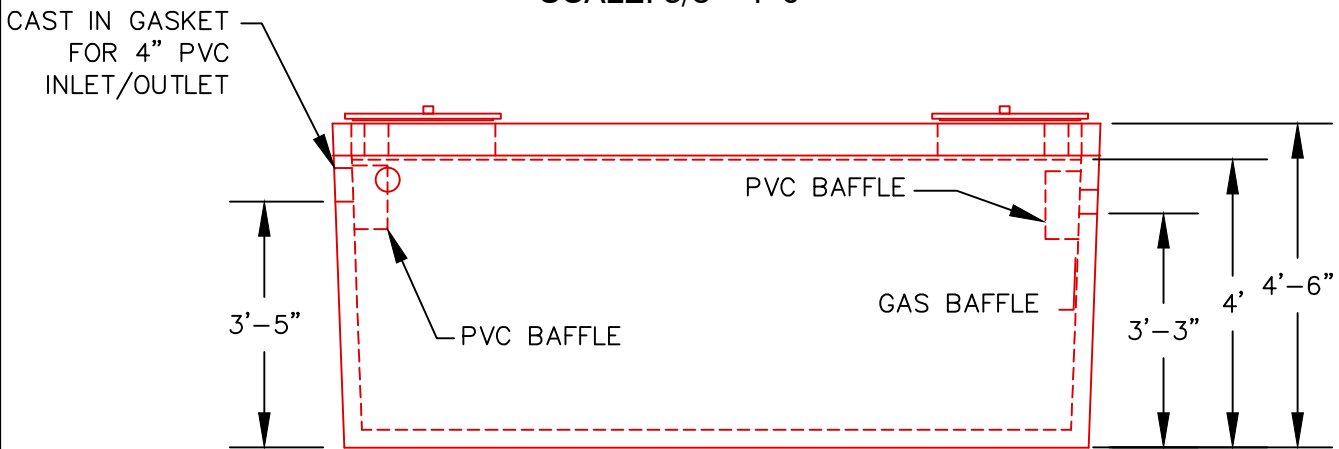
1,000 GALLON LOW PROFILE SEPTIC TANK

- CONCRETE STRENGTH: 4000 PSI MIN. @ 28 DAYS
- REINFORCING CONFORMS TO ASTM A615 & A185
- DESIGN: MAXIMUM EARTH COVER IS 4'-0"; NO TRAFFIC LOADS
- 1" BUTYL RUBBER GASKET PROVIDED FOR JOINT
- APPROXIMATE WEIGHT: TANK - 3.12 TONS
LID - 1.83 TONS



PLAN VIEW

SCALE: 3/8" = 1'-0"



SECTION VIEW

SCALE: 3/8" = 1'-0"

RAPID CAD
drafting & design services
cmccann13@gmail.com

FRANKLIN PRE-CAST

20 Park Dr. Phone: (973)-827-7563
Franklin, NJ Fax: (973)-827-4746
07416 sales@franklinprecast.com

.\flogo.jpg

DRAWN BY	CJM	PROJECT #
DATE	01-08-14	
CAD FILE #	PC-1000LP	RC-48
SCALE	NTS	DWG SIZE