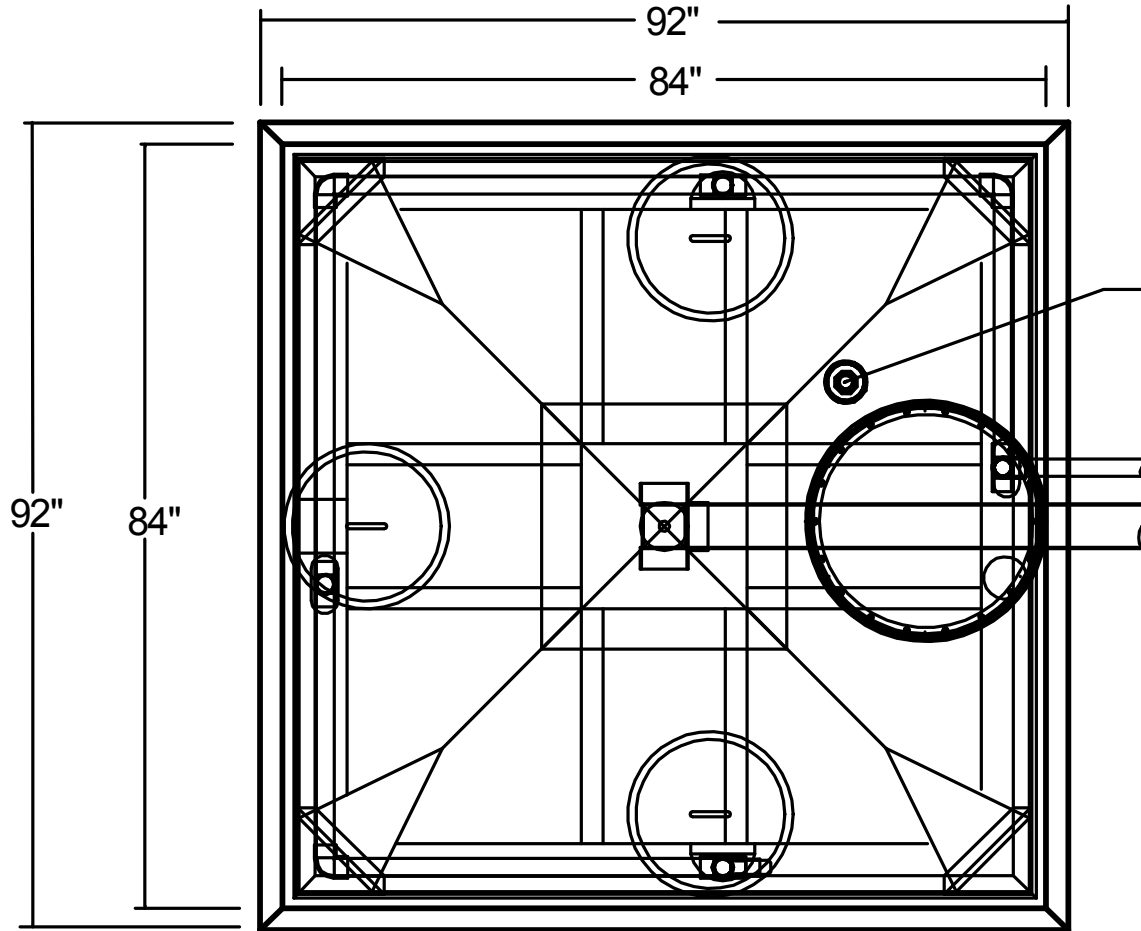


REVISIONS	DESCRIPTION	DATE

DIMENSIONS	
A	
B	
C	
D	
E	
F	
G	
H	



**HIGH
WATER
PROBE
ALARM**

PLAN VIEW



HOOT SYSTEMS, LLC
www.hootsystems.com

THIS DRAWING IS THE PROPRIETARY PROPERTY OF HOOT SYSTEMS, LLC. REPRODUCTION, DISCLOSURE OR USE OF ANY PART OF THIS DRAWING OR ANY INFORMATION THEREIN IS EXPRESSLY PROHIBITED WITHOUT PRIOR WRITTEN CONSENT OF HOOT SYSTEMS, LLC.

DESCRIPTION:

PART #

DATE:
Oct. 28, 2010

DRAWN BY:
TLC

CHECK BY:

SCALE:
N.T.S.

H1000A