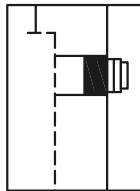
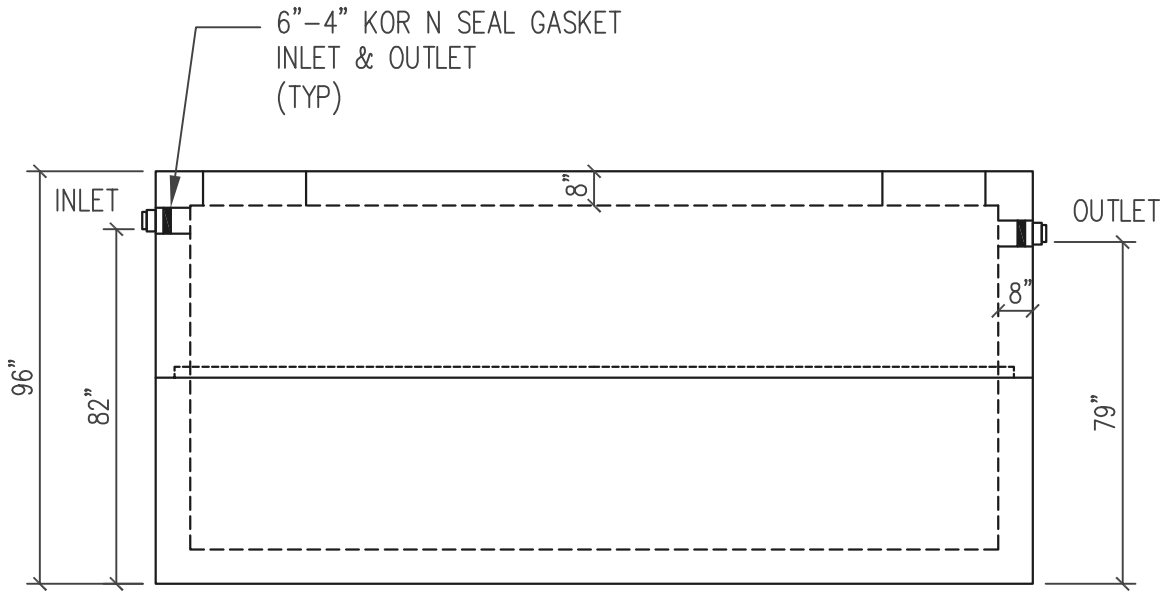
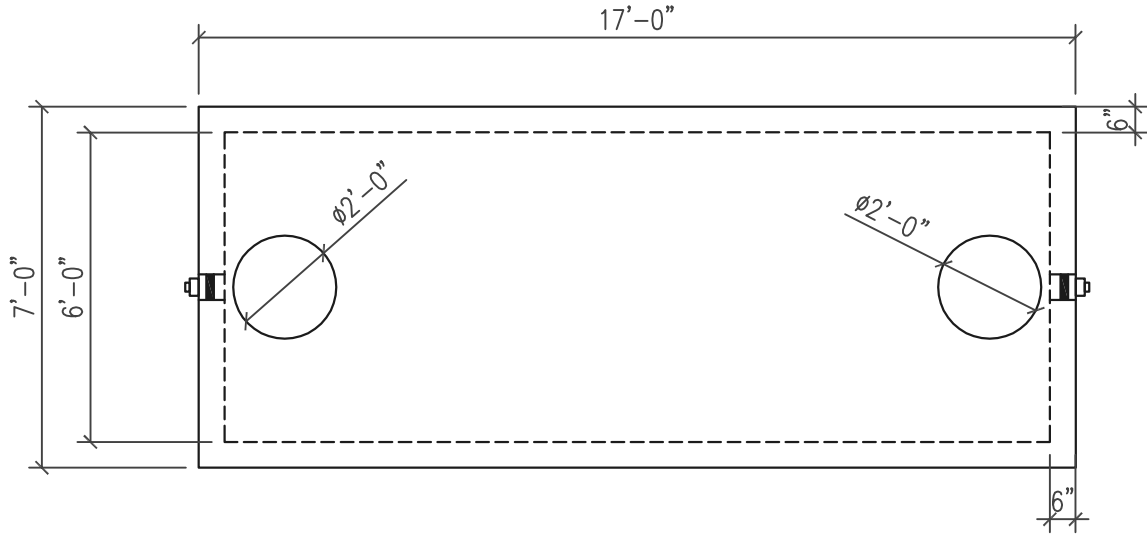


4000 GALLON HEAVY DUTY TANK

CONCRETE STRENGTH = 5000 PSI MIN. @ 28 DAYS
 REINFORCING CONFORMS TO ASTM A615 & A185
 DESIGN: MAXIMUM EARTH COVER IS 5'-0"; HS-20 TRAFFIC LOADS
 WATER TABLE 8'-0" BELOW GRADE
 1" BUTYL GASKET PROVIDED FOR JOINT
 APPROXIMATE WEIGHT: BASE 11 TONS
 LID 10.7 TONS



STEP DOWN GASKETS
 AVAILABLE FOR
 PUMP TANKS

NOTE:
 INVERTS ARE FOR 4" PIPE
 SUBTRACT 1" FOR 6" PIPE

RAPID CAD
 drafting & design services
 cmccann13@gmail.com

FRANKLIN PRE-CAST
 20 Park Dr. Phone: (973)-827-7563
 Franklin, NJ Fax: (973)-827-4746
 07416 sales@franklinprecast.com



DRAWN BY	CJM	PROJECT #
DATE	12-10-13	RC-45
CAD FILE #	PC-4000	
SCALE	NTS	DWG SIZE